

**GA03612001**  
(P2HN9311SY)



**Fitting Guide**  
**HINO 300 STANDARD CAB**  
**036A and 6/20on Models**

2 Post Nudge Bar  
VEHICLE FRONTAL PROTECTION SYSTEM (VFPS)  
FOR AIR BAG & ADR COMPLIANT VEHICLES

# Index

---

## **Pages 2-3**

Index and Model Check

## **Pages 4-5**

Stage 1	Vehicle Preparation
Stage 2	Bumper mount bolt removal
Stage 3	Steel mount installation
Stage 4	Bullbar Installation
Stage 5	Number plate installation

## **Pages 6-7**

Supplied Product Assemblies
Fitting Kit
Torque Guide
Finished Product

**NOTE:** These instructions are to be used as a guide for installation of this component to the specified HINO model. Please ensure you check the component is applicability before installation. This work should be done by a qualified installer/technician and all care must be taken to ensure all steps are completed. Failure to do so may risk conformity to HINO component warranty and/or compliance. If you have any issues or concerns with this installation please contact 1300 01 HINO.

- 
- This product is designed to be installed on the following model codes.
  - Please ensure the vehicle you are working on is listed below.
  - If not please contact your parts manager before you proceed

<b>Model description</b>	<b>Model code</b>
STD CAB	XZU605 / 655
STD CAB - TRADE ACE	XZU605 / 655

# GA3612001

## Stage 1

- Park the vehicle on level ground and apply the park brake.
- Check installation hardware and read fitting instructions before commencing.
- Lift bonnet.



## Stage 2

- Remove outer two (2) 10mm head bolts from bumper opening (per/side).



## Stage 3

- Fit steel mounting bracket onto bumper plate and fix with M8 x 1.25 x 35mm bolts, spring washer and flat washer.
- Align mount measurement to match the alloy mount measurement.
- Ensure mounts are vertical.
- Tighten all bolts.



# HINO 300 STANDARD CAB

## Stage 4

- Fit bull bar onto steel mounting bracket using M10 x 1.5 x 40mm bolts, flat washers, spring washers and nuts.
- Align bull bar and tighten all bolts.



## Stage 5

- Refit number plate in position with M5 x 12 bolts and nyloc nuts.



# GA3612001

## Supplied Product Assemblies

Fig.1 - 1x Bullbar assembly

Fig.2 - 1x Pair steel mounting brackets (Fitted to Bar)

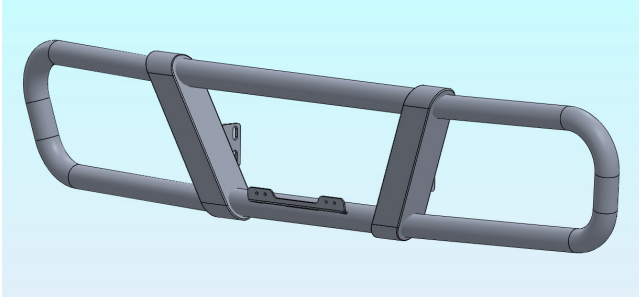


Figure 1 - Bullbar assembly

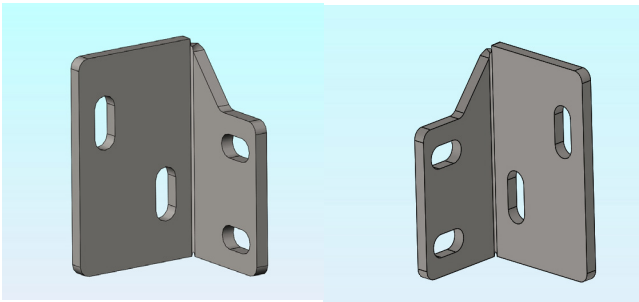


Figure 2 - 1 Pair Steel mounting brackets (fitted to bar)

## Fitting Kit

### Fitting Kit

1 - Pair steel mount brackets	4 - M8 x 1.25 x 35mm bolt
4 - M10 x 1.5 x 40mm bolts	4 - 5/16 x 1 x 16g flat washers
8 - M10 flat washers (Heavy Duty)	4 - M8 spring washers
4 - M10 spring washers	2 - M5 x 12 Stainless bolts
4 - M10 x 1.5 nuts	2 - M5 Stainless Nyloc nuts

### Torque Guide

Diameter	Thread Pitch	Recomended Assembly Setting	
M8	1.25mm	22 Nm	16.3 lbft
M10	1.5mm	50 Nm	37 lbft

# Finished Product

---



REPLACES: 03.06.20

REVISED: 22.07.20