

GA50002017 Fitting Instructions

HINO 500 SERIES STD PRO 7 (03-10) DLX3 BULLBAR



PARK THE VEHICLE ON LEVEL GROUND AND APPLY THE PARK BRAKE

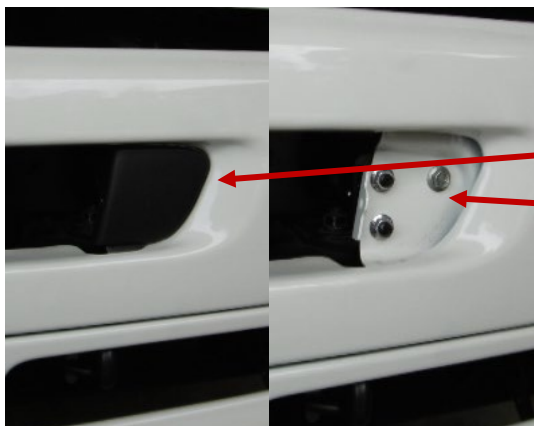
CHECK INSTALLATION HARDWARE AND READ FITTING INSTRUCTION BEFORE COMMENCING



OPEN BONNET AND REMOVE INDICATOR FASTENERS

CAREFULLY DISCONNECT THE INDICATOR PLUG AND CONNECT THE PATCH HARNESS IN LINE, ALLOW THE PATCH HARNESS TO HANG LOOSELY BEHIND THE INDICATOR BODY

RE-FASTEN THE INDICATOR BACK IN PLACE



REMOVE THE BUMPER BAR BY REMOVING BLACK PLASTIC COVERS TO ACCESS THE FASTENERS RETAINING THE BUMPER

BLACK PLASTIC COVERS

REMOVE AND DISCARD FASTENERS



DISCONNECT AND REMOVE THE HEADLIGHT WIRING HARNESS FROM THE CHASSIS

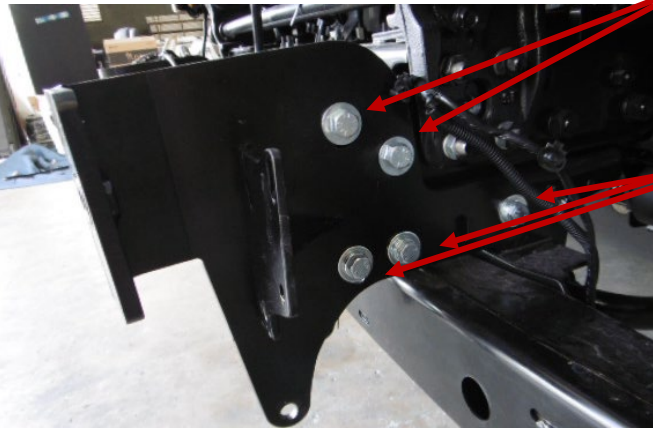
REMOVE THE HEADLIGHT WIRING HARNESS SUPPORT AND DISCARD

REMOVE HEADLIGHT MOUNTS FROM THE CHASSIS AND SEPARATE THE HEADLIGHT FROM THE CHASSIS MOUNT AND BUMPER LOWER MOUNT

DISCARD FASTENERS AND CHASSIS MOUNT

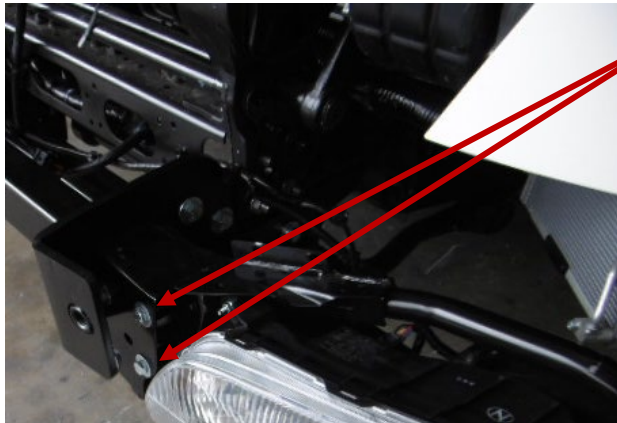
GA50002017 Fitting Instructions

HINO 500 SERIES STD PRO 7 (03-10) DLX3 BULLBAR



PLACE CHASSIS MOUNT IN POSITION AND FASTEN LIGHTLY THROUGH THE CHASSIS HOLES NOT FITTED WITH CAPTIVE NUTS USING 1/2" x 2" BOLTS, FLAT WASHERS AND NYLOC NUTS

FASTEN LIGHTLY USING 3 - M12 x 1.25mm x 40mm BOLTS (DRIVER SIDE), FLAT AND SPRING WASHER INTO CAPTIVE NUTS AND 1 - M12 x 1.25mm x 40mm BOLTS (PASSENGER SIDE), FLAT AND SPRING WASHER INTO CAPTIVE NUTS AND FASTEN THROUGH THE LOWER PASSENGER SIDE MOUNT HOLES USING 2 - M12 x 1.25mm x 30mm BOLT, FLAT AND SPRING WASHER



FASTEN HEADLIGHTS LIGHTLY ONTO THE CHASSIS MOUNT EACH SIDE USING 8 - 3" x 3/8" BOLTS, FLAT WASHERS AND NYLOC NUTS

RECONNECT THE HEADLIGHT WIRING HARNESS AND CABLE TIE TO THE VEHICLE CHASSIS



LIFT BULLBAR INTO POSITION, ALIGN EYEBOLTS AND LIGHTLY FASTEN

ALIGN THE HINGE BOLTS AND FASTEN USING 2 - 2" x 9/16" BOLTS, FLAT WASHERS AND NYLOC NUTS

TIGHTEN BOLTS SO NYLON ON NUT ENGAGES ON BOLT AND MOUNT ON BULLBAR JUST START TO PULL IN



ALIGN THE BULLBAR WITH THE VEHICLE AND TIGHTEN ALL CHASSIS MOUNT FASTENERS FULLY

CHECK THE HEADLIGHT ALIGNMENT AND CLEARANCE TO THE BACK EDGE OF BULLBAR CHANNEL, ADJUST IF NECESSARY

REMOVE EYEBOLTS AND CHECK TILT OPERATION

GA50002017 Fitting Instructions

HINO 500 SERIES STD PRO 7 (03-10) DLX3 BULLBAR



FIT THE PARK/INDICATOR LIGHTS TO THE BULLBAR

CONNECT THE PATCH HARNESS AND PATCH HARNESS ADAPTERS TO EACH BULLBAR INDICATOR

CHECK THE OPERATION OF ALL LIGHTS

PLACE BULLBAR IN REST POSITION AND FASTEN USING THE EYEBOLTS, FULLY TIGHTEN



FIT TILT BULLBAR WARNING STICKER TO PASSENGER SIDE REAR OF CABIN NEAR TILT LEVER

GA50002017 Fitting Instructions
HINO 500 SERIES STD PRO 7 (03-10) DLX3 BULLBAR
FITTING KIT

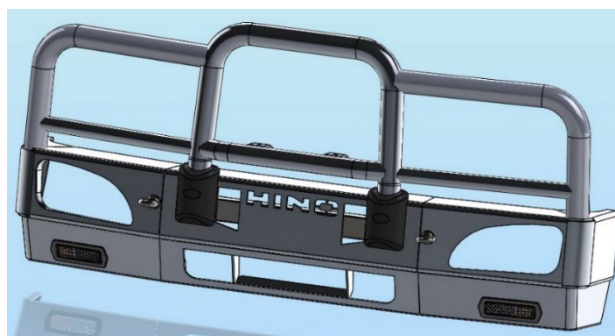


P/N GA50002024

P/N B3HN6525SYF

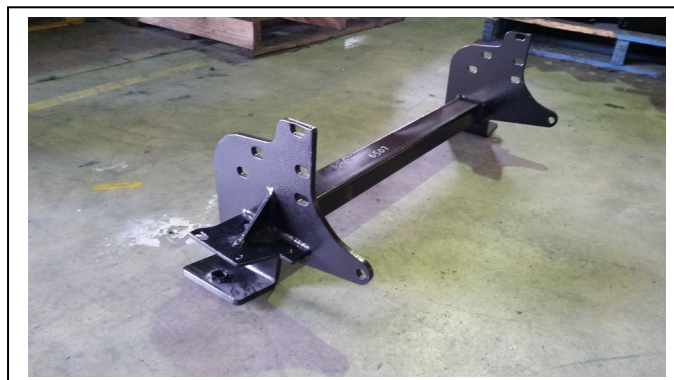
Qty	Length	Diameter	Thread Pitch	Description	
4	40mm	12mm	1.25mm	Metric Bolt Grade 8H/T	
2	30mm	12mm	1.25mm	Metric Bolt Grade 8H/T	
4	2"	1/2"	UNC	Bolt Grade 8H/T	
4		1/2"		Nyloc Nut	
14		1/2"		Flat Washer	
6		1/2"		Spring Washer	
8	3"	3/8"	UNC	Bolt Grade 8H/T Fully Threaded	
8		3/8"		Nyloc Nut	
16		3/8"		Flat Washer	
4	300mm Cable Ties				
1	Fitting Instructions				
1	Tilt Cab Warning Sticker				
2	Indicator Wiring Harness				P/N ICHPRORANGER
2	Wiring Harness Adapters				P/N ICHC00PIADAP
SEALED IN CLEAR BAG AND TAPED TO STEEL MOUNT					

ATTACHED TO BULLBAR					
2		3/4"	UNC	Eyebolt Grade 8H/T	P/N ICEYEBOLT
2		3/4"		Flat Washer	
2	2 1/2"	9/16"	UNC	Bolt Grade 8H/T	
2		9/16"	UNC	Nyloc Nut	
4		9/16"		Flat Washer	
ADDITIONS					
2	LED Indicator/Parker Lights				P/N ICLED104BLK
1	Steel Bullbar Mount				



GA50002017

Chassis Mount



**GA50002017 Fitting Instructions
HINO 500 SERIES STD PRO 7 (03-10) DLX3 BULLBAR**



**DESPATCH CHECKLIST
B3HN6507SY
HINO 500 SERIES STD PRO 7 (03-10)**

Work Order No:	
Finish:	
Transport:	
Due Date:	

OC	_____	1	Steel Mounting Bracket
OC	_____	1	Pair of LED Indicator/Park Lights (ICLED104BLK)
OC	_____	2	3" HINO Overrides (Round)
OC	_____	1	Bolt Kit
WR	_____	2	Eyebolts ($\frac{3}{4}$ " UNC ZP) and Washers – Fitted To Bar
WR	_____	1	Pair of LED Indicator/Park Lights (ICLED104BLK) – Fitted To Bar
WR	_____	2	2 $\frac{1}{2}$ " x $\frac{9}{16}$ " UNC Bolt Grade 8H/T – Fitted To Bar
WR	_____	2	$\frac{9}{16}$ " Nyloc Nut – Fitted To Bar
WR	_____	4	$\frac{9}{16}$ " Flat Washer – Fitted To Bar
WR	_____	1	Bolt Kit – Taped to Mount

See other side of this page for photos of all mounts



**IS THIS PRODUCT "THE BEST IT CAN BE"?
IF NO FIX BEFORE CONTINUING**

_____/_____
Wrapper's Initials Checker's Initials

ALL PARTS CHECKED AND COMPLETED BY:

NUTS AND BOLTS: _____ DATE: ___/___/___

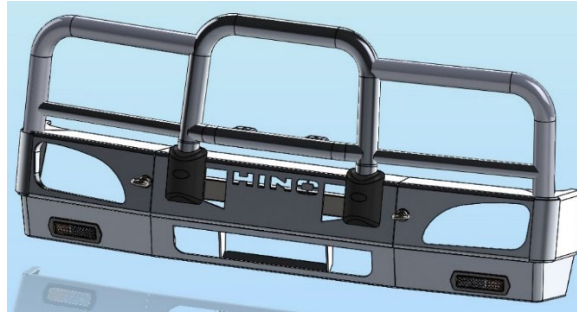
ORDER CONTROL: _____ DATE: ___/___/___

FINAL WRAP CHECK: _____ DATE: ___/___/___

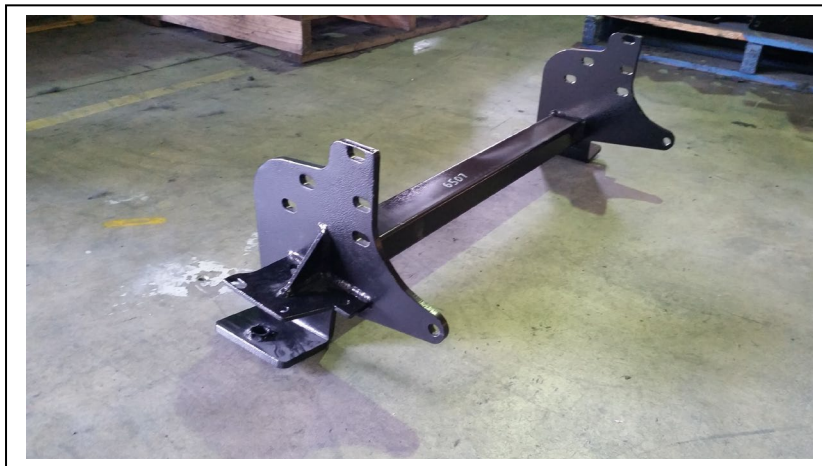
**GA50002017 Fitting Instructions
HINO 500 SERIES STD PRO 7 (03-10) DLX3 BULLBAR**



B3HN6507SY



STEEL MOUNT – fitted to bar



Wrapper's Initials / Checker's Initials