

# GA50002025 Fitting Instruction

## 500 SERIES FC/FD/FE EURO 5 2011+



PARK THE VEHICLE ON LEVEL GROUND AND APPLY THE PARK BRAKE

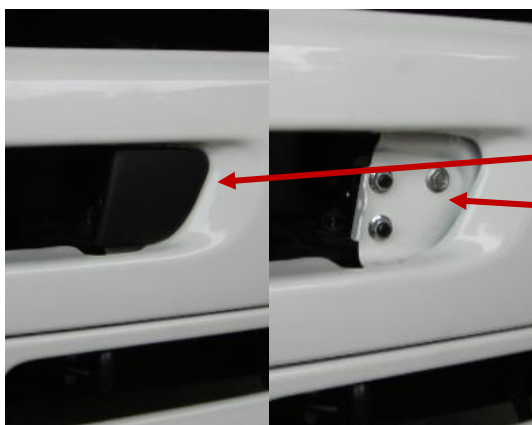
CHECK INSTALLATION HARDWARE AND READ FITTING INSTRUCTION BEFORE COMMENCING



OPEN BONNET AND REMOVE INDICATOR FASTENERS

CAREFULLY DISCONNECT THE INDICATOR PLUG AND CONNECT THE PATCH HARNESS IN LINE, ALLOW THE PATCH HARNESS TO HANG LOOSELY BEHIND THE INDICATOR BODY

RE-FASTEN THE INDICATOR BACK IN PLACE



REMOVE THE BUMPER BAR BY REMOVING BLACK PLASTIC COVERS TO ACCESS THE FASTENERS RETAINING THE BUMPER

BLACK PLASTIC COVERS

REMOVE AND DISCARD FASTENERS



DISCONNECT AND REMOVE THE HEADLIGHT WIRING HARNESS FROM THE CHASSIS

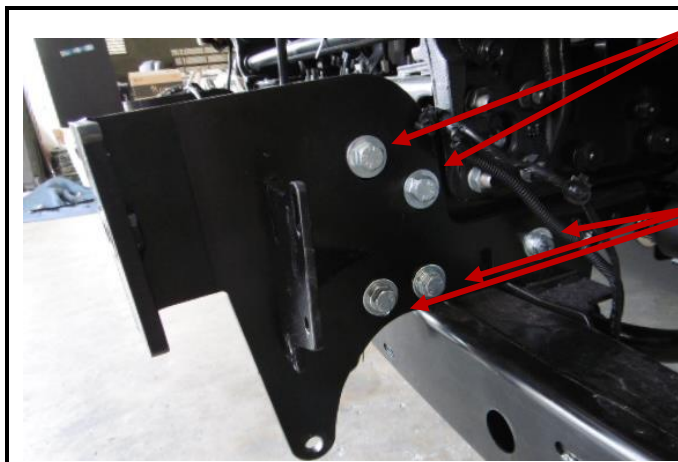
REMOVE THE HEADLIGHT WIRING HARNESS SUPPORT AND DISCARD

REMOVE HEADLIGHT MOUNTS FROM THE CHASSIS AND SEPARATE THE HEADLIGHT FROM THE CHASSIS MOUNT AND BUMPER LOWER MOUNT

DISCARD FASTENERS AND CHASSIS MOUNT

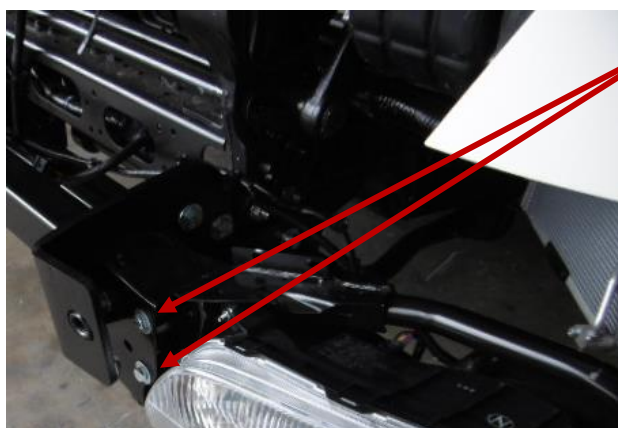
# GA50002025 Fitting Instruction

## 500 SERIES FC/FD/FE EURO 5 2011+



PLACE CHASSIS MOUNT IN POSITION AND FASTEN LIGHTLY THROUGH THE CHASSIS HOLES NOT FITTED WITH CAPTIVE NUTS USING 1/2" x 2" BOLTS, FLAT WASHERS AND NYLOC NUTS

FASTEN LIGHTLY USING 3 - M12 x 1.25mm x 40mm BOLTS (DRIVER SIDE), FLAT AND SPRING WASHER INTO CAPTIVE NUTS AND 1 - M12 x 1.25mm x 40mm BOLTS (PASSENGER SIDE), FLAT AND SPRING WASHER INTO CAPTIVE NUTS AND FASTEN THROUGH THE LOWER PASSENGER SIDE MOUNT HOLES USING 2 - M12 x 1.25mm x 30mm BOLT, FLAT AND SPRING WASHER



FASTEN HEADLIGHTS LIGHTLY ONTO THE CHASSIS MOUNT EACH SIDE USING 8 - 3" x 3/8" BOLTS, FLAT WASHERS AND NYLOC NUTS

RECONNECT THE HEADLIGHT WIRING HARNESS AND CABLE TIE TO THE VEHICLE CHASSIS



LIFT BULLBAR INTO POSITION, ALIGN EYEBOLTS AND LIGHTLY FASTEN

ALIGN THE HINGE BOLTS AND FASTEN USING 2 - 2" x 9/16" BOLTS, FLAT WASHERS AND NYLOC NUTS

TIGHTEN BOLTS SO NYLON ON NUT ENGAGES ON BOLT AND MOUNT ON BULLBAR JUST START TO PULL IN



ALIGN THE BULLBAR WITH THE VEHICLE AND TIGHTEN ALL CHASSIS MOUNT FASTENERS FULLY

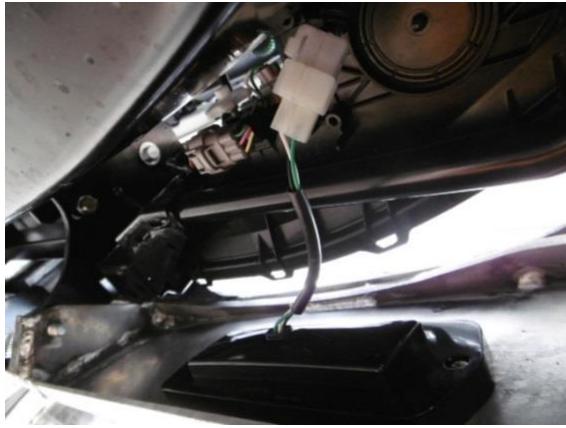
CHECK THE HEADLIGHT ALIGNMENT AND CLEARANCE TO THE BACK EDGE OF BULLBAR CHANNEL, ADJUST IF NECESSARY

REMOVE EYEBOLTS AND CHECK TILT OPERATION

**(NOTE: BIG TUBE BAR PICTURED)**

# GA50002025 Fitting Instruction

## 500 SERIES FC/FD/FE EURO 5 2011+



FIT THE PARK/INDICATOR LIGHTS TO THE BULLBAR

CONNECT THE PATCH HARNESS AND PATCH HARNESS ADAPTERS TO EACH BULLBAR INDICATOR

CHECK THE OPERATION OF ALL LIGHTS

PLACE BULLBAR IN REST POSITION AND FASTEN USING THE EYEBOLTS, FULLY TIGHTEN



FIT TILT BULLBAR WARNING STICKER TO PASSENGER SIDE REAR OF CABIN NEAR TILT LEVER

# GA50002025 Fitting Instruction

## 500 SERIES FC/FD/FE EURO 5 2011+



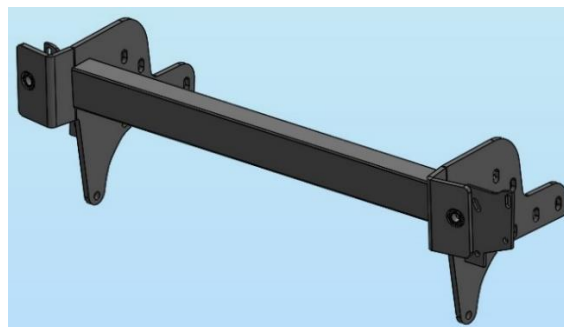
### FITTING KIT

**P/N GA50002025**

**P/N P4HN9521SYF**

Qty	Length	Diameter	Thread Pitch	Description
4	40mm	12mm	1.25mm	Metric Bolt Grade 8H/T
2	30mm	12mm	1.25mm	Metric Bolt Grade 8H/T
4	2"	1/2"	UNC	Bolt Grade 8H/T
4		1/2"		Nyloc Nut
14		1/2"		Flat Washer
6		1/2"		Spring Washer
8	3"	3/8"	UNC	Bolt Grade 8H/T Fully Threaded
8		3/8"		Nyloc Nut
16		3/8"		Flat Washer
4	300mm Cable Ties			
1	Fitting Instructions			
1	Tilt Cab Warning Sticker			
2	Indicator Wiring Harness			P/N ICHPRORANGER
2	Wiring Harness Adapters			P/N ICHC00PIADAP
<b>SEALED IN CLEAR BAG AND TAPED TO STEEL MOUNT</b>				

ATTACHED TO BULLBAR					
2		3/4"	UNC	Eyebolt Grade 8H/T	P/N ICEYEBOLT
2		3/4"		Flat Washer	
2	2 1/2"	9/16"	UNC	Bolt Grade 8H/T	
2		9/16"	UNC	Nyloc Nut	
4		9/16"		Flat Washer	
ADDITIONS					
2	LED Indicator/Parker Lights			P/N ICLED104BLK	
1	Steel Bullbar Mount				



**Chassis Mount**

**GA50002025 Fitting Instruction  
500 SERIES FC/FD/FE EURO 5 2011+**



**DESPATCH CHECKLIST  
P4HN9521SYF  
HINO 500 SERIES FC/FD/FE EURO 5 2011+**

Work Order No:	
Finish:	
Transport:	
Due Date:	

OC	_____	1	Steel Mounting Bracket
OC	_____	1	Pair of LED Indicator/Park Lights (ICLED104BLK)
WR	_____	2	Eyebolts ( <sup>3</sup> / <sub>4</sub> " UNC ZP) and Washers – <b>Fitted To Bar</b>
WR	_____	1	Pair of LED Indicator/Park Lights (ICLED104BLK) – <b>Fitted To Bar</b>
WR	_____	2	2 1/2" x <sup>9</sup> / <sub>16</sub> " UNC Bolt Grade 8H/T – <b>Fitted To Bar</b>
WR	_____	2	<sup>9</sup> / <sub>16</sub> " Nyloc Nut – <b>Fitted To Bar</b>
WR	_____	4	<sup>9</sup> / <sub>16</sub> " Flat Washer – <b>Fitted To Bar</b>
WR	_____	1	Bolt Kit – <b>Taped to Mount</b>

**See other side of this page for photos of all mounts**



**IS THIS PRODUCT "THE BEST IT CAN BE"?  
IF NO FIX BEFORE CONTINUING**

\_\_\_\_\_  
Wrapper's    Checker's  
Initials      Initials

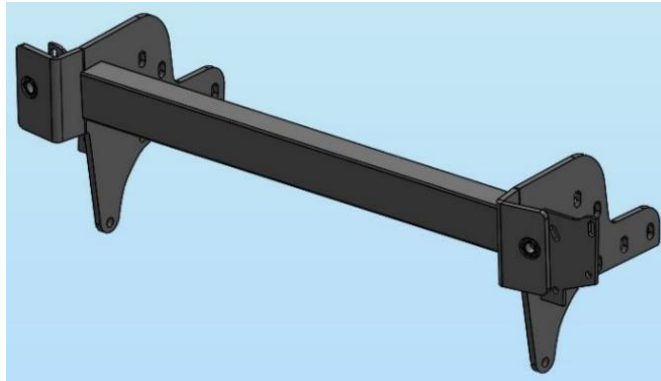
**ALL PARTS CHECKED AND COMPLETED BY:**

NUTS AND BOLTS: \_\_\_\_\_ DATE: \_\_\_\_/\_\_\_\_/\_\_\_\_

ORDER CONTROL: \_\_\_\_\_ DATE: \_\_\_\_/\_\_\_\_/\_\_\_\_

FINAL WRAP CHECK: \_\_\_\_\_ DATE: \_\_\_\_/\_\_\_\_/\_\_\_\_

## **STEEL MOUNT**



\_\_\_\_\_/\_\_\_\_\_  
Wrapper's    Checker's  
Initials      Initials